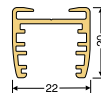
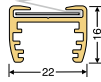
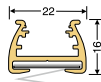
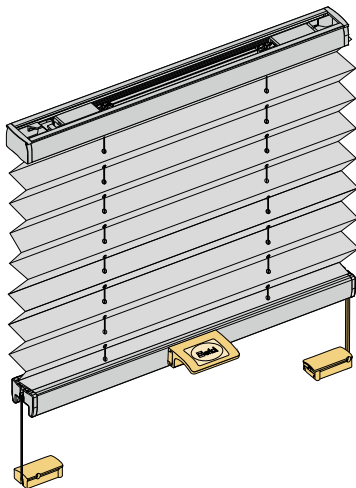


Vertical windows rectangular

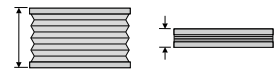
Tensioned installations

Tensioned ESG 1



- Tensioned installation with fixed top profile and adjustable bottom profile
 - Handle at bottom profile; on request two handles per profile (recommended for widths from 120 cm)
 - Top fixation with "small" fixing clip or wall fixing bracket
 - Bottom fixation with tension cord bracket or wall fixing bracket
 - Block holder for an extra charge
 - Control rod for an extra charge
 - Additional bottom profile for an extra charge
 - From 120 cm installation width clamping profile 20 mm (see left)
- This clamping profile can be ordered separately without any extra charge for combined installations with different window sizes

BUNCH HEIGHTS



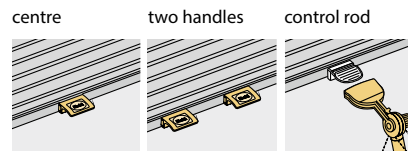
Installation height	Bunch height	
	Pleated blind	Honeycomb
50 cm	ca. 5 cm	ca. 6 cm
100 cm	ca. 6 cm	ca. 7 cm
150 cm	ca. 7 cm	ca. 9 cm
200 cm	ca. 8 cm	ca. 12 cm
220 cm	ca. 9 cm	ca. 13 cm

RANGES OF SIZE

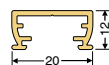
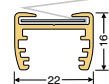
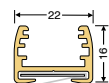
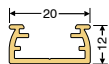
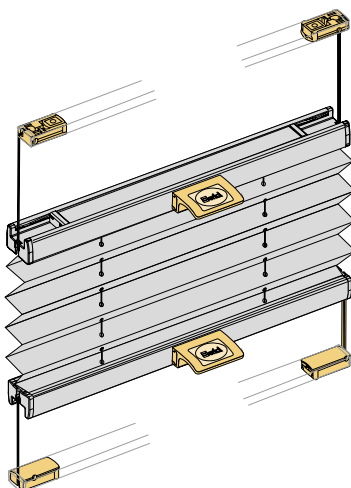
Min. width	120 cm
Min. height	20 cm
Max. width	150 cm
Max. height	150 cm
or	
Max. width	120 cm
Max. height	220 cm

* depending on fabric width

OPERATION OPTIONS

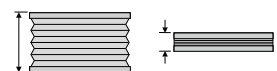


Tensioned ESG 2



- Tensioned installation with adjustable top and bottom profile
 - Handle at top and bottom profile
 - On request two handles per profile (recommended for widths from 120 cm)
 - Fixation with tension cord bracket or wall fixing bracket
 - Block holder for an extra charge
 - Control rod for an extra charge
 - Additional top or bottom profile for an extra charge
 - From 120 cm installation width clamping profile 20 mm (see ESG1)
- This clamping profile can be ordered separately without any extra charge for combined installations with different window sizes
- Flat profile with fixing clip - see extra charge

BUNCH HEIGHTS



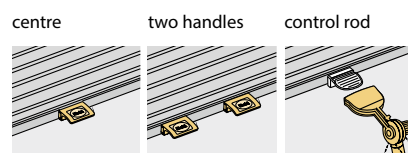
Installation height	Bunch height	
	Pleated blind	Honeycomb
50 cm	ca. 5 cm	ca. 6 cm
100 cm	ca. 6 cm	ca. 7 cm
150 cm	ca. 7 cm	ca. 9 cm
200 cm	ca. 8 cm	ca. 12 cm
220 cm	ca. 9 cm	ca. 13 cm

RANGES OF SIZE

Min. width	120 cm
Min. height	20 cm
Max. width	150 cm
Max. height	150 cm
or	
Max. width	120 cm
Max. height	220 cm

* depending on fabric width

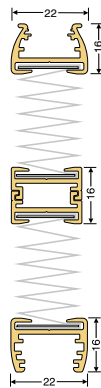
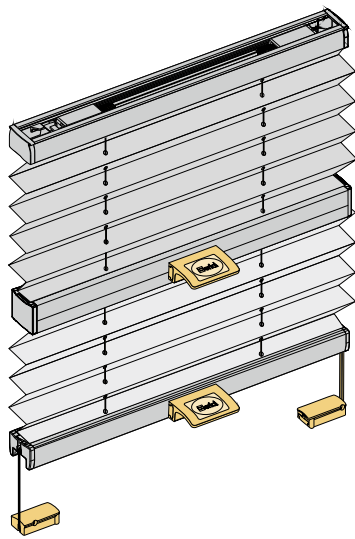
OPERATION OPTIONS



Vertical windows rectangular

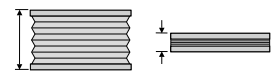
Tensioned installations

Tensioned ESG 3



- Tensioned installation with fixed top profile and adjustable centre and bottom profile
 - With two different hangings (each hanging can shade the whole window)
 - Handle at centre and bottom profiles; on request two handles per profile (recommended for widths from 120 cm)
 - Top fixation with "small" fixing clip or wall fixing bracket
 - Bottom fixation with tension cord bracket or wall fixing bracket
 - Block holder for an extra charge
 - Control rod for an extra charge
 - Additional bottom profile for an extra charge
 - From 120 cm installation width clamping profile 20 mm (see ESG1)
- This clamping profile can be ordered separately without any extra charge for combined installations with different window sizes

BUNCH HEIGHTS



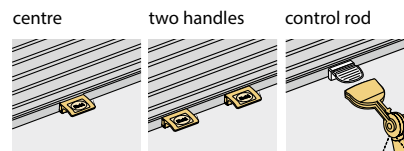
Installation height	Bunch height	
	Pleated blind	Honeycomb
50 cm	ca. 7 cm	ca. 8 cm
100 cm	ca. 8 cm	ca. 9 cm
150 cm	ca. 9 cm	ca. 11 cm
200 cm	ca. 10 cm	ca. 14 cm
220 cm	ca. 11 cm	ca. 15 cm

RANGES OF SIZE

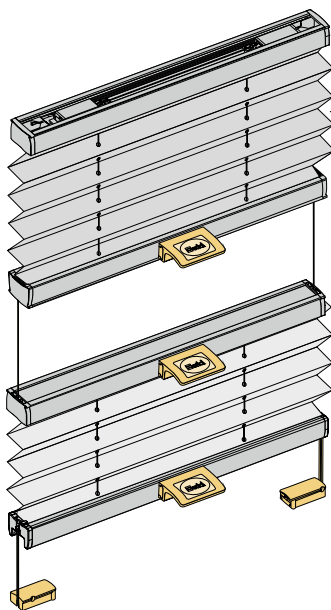
Min. width	20 cm
Min. height	20 cm
Max. width	180 cm *
Max. height	180 cm *
or	
Max. width	120 cm
Max. height	220 cm

* depending on fabric width

OPERATION OPTIONS

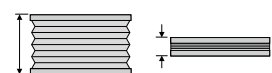


Tensioned ESG 50



- Tensioned top installation with fixed top profile and adjustable bottom profile, at bottom with adjustable top and bottom profile
 - With two different hangings (each hanging can provide shade for the whole window)
 - Handle at bottom profile of the upper hanging and at top and bottom profile of the lower hanging, on request two handles per profile (recommended for widths from 120 cm)
 - Top fixation with "small" fixing clip or wall fixing bracket
 - Bottom fixation with tension cord bracket or wall fixing bracket
 - Block holder for an extra charge
 - Control rod for an extra charge
 - Additional bottom profile for an extra charge
 - From 120 cm installation width clamping profile 20 mm (see ESG1)
- This clamping profile can be ordered separately without any extra charge for combined installations with different window sizes

BUNCH HEIGHTS



Installation height	Bunch height	
	Pleated blind	Honeycomb
50 cm	ca. 10 cm	ca. 11 cm
100 cm	ca. 11 cm	ca. 13 cm
150 cm	ca. 12 cm	ca. 14 cm
200 cm	ca. 13 cm	ca. 16 cm
220 cm	ca. 14 cm	ca. 17 cm

RANGES OF SIZE

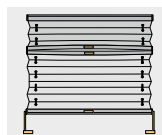
Min. width	20 cm
Min. height	20 cm
Max. width	180 cm *
Max. height	180 cm *
or	
Max. width	120 cm
Max. height	220 cm

* depending on fabric width

OPERATION OPTIONS



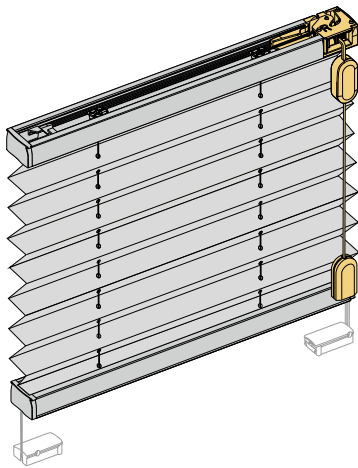
! The central profiles of the installation sag due to technological reasons. The wider the installation, the more will the sagging be visible when the blind is closed.



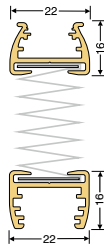
Vertical windows rectangular

Free-hanging installations

Free-hanging ESS 1

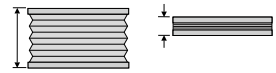


Cord guiding for an extra charge



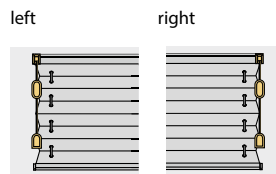
- Free-hanging installation with fixed top profile and adjustable bottom profile
- Operation with pull cord with cord lock
- Cord guiding for an extra charge
- Fixation with "small" fixing clip or wall fixing bracket
- Block holder for an extra charge

BUNCH HEIGHTS



Installation height	Bunch height	
	Pleated blind	Honeycomb
50 cm	ca. 5 cm	ca. 6 cm
100 cm	ca. 6 cm	ca. 7 cm
150 cm	ca. 7 cm	ca. 9 cm
200 cm	ca. 8 cm	ca. 12 cm
220 cm	ca. 9 cm	ca. 15 cm

OPERATION OPTIONS

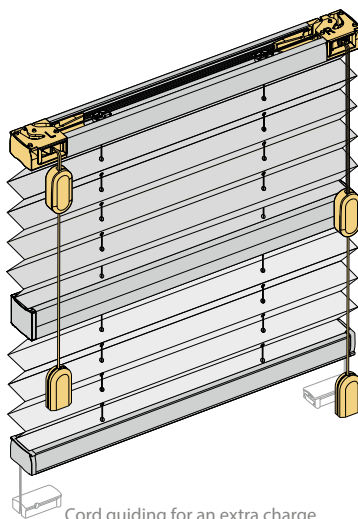


RANGES OF SIZE

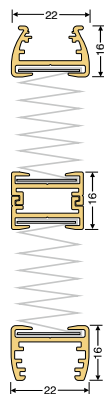
Min. width	30 cm
Min. height	30 cm
Max. width	230 cm*
Max. height	260 cm

* depending on fabric width

Free-hanging ESS 3

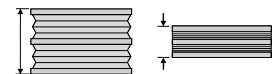


Cord guiding for an extra charge



- Free-hanging installation with fixed top profile, adjustable centre and bottom profile
- With two different hangings (each hanging can provide shade for the whole window)
- Operation left and right with 2 pull cords and 2 cord locks
- Cord guiding for an extra charge
- Fixation with "small" fixing clip or wall fixing bracket
- Block holder for an extra charge

BUNCH HEIGHTS



Installation height	Bunch height	
	Pleated blind	Honeycomb
50 cm	ca. 7 cm	ca. 8 cm
100 cm	ca. 8 cm	ca. 9 cm
150 cm	ca. 9 cm	ca. 11 cm
200 cm	ca. 10 cm	ca. 13 cm
260 cm	ca. 12 cm	ca. 17 cm

OPERATION OPTIONS

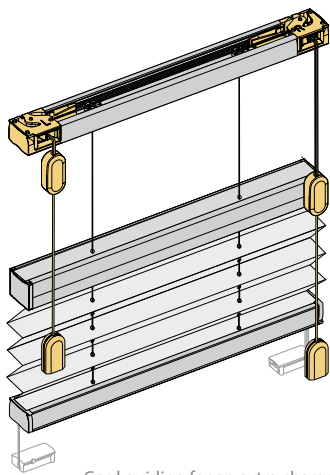
left and right



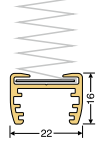
RANGES OF SIZE

Min. width	30 cm
Min. height	30 cm
Max. width	200 cm
Max. height	200 cm

Free-hanging ESS 5

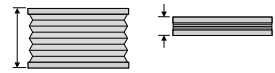


Cord guiding for an extra charge



- Free-hanging installation with fixed top profile, adjustable centre and bottom profile
- With a hanging that can be traversed variably across the entire window
- Operation left and right with 2 pull cords and 2 cord locks
- Cord guiding for an extra charge
- Fixation with "small" fixing clip or wall fixing bracket
- Block holder for an extra charge

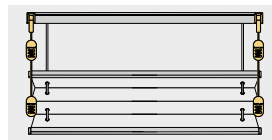
BUNCH HEIGHTS



Installation height	Bunch height	
	Pleated blind	Honeycomb
50 cm	ca. 7 cm	ca. 8 cm
100 cm	ca. 8 cm	ca. 9 cm
150 cm	ca. 9 cm	ca. 11 cm
200 cm	ca. 10 cm	ca. 13 cm
260 cm	ca. 12 cm	ca. 17 cm

OPERATION OPTIONS

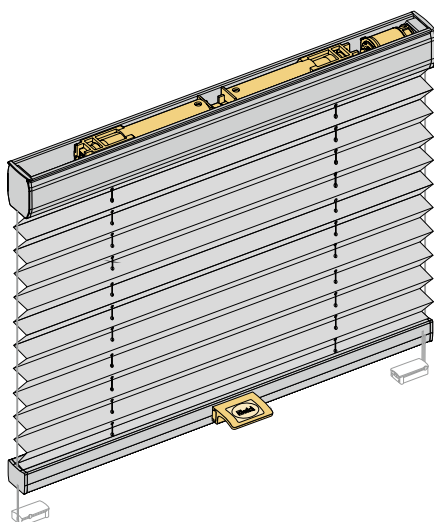
left and right



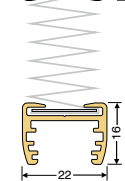
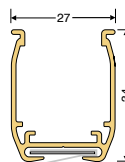
RANGES OF SIZE

Min. width	30 cm
Min. height	30 cm
Max. width	200 cm
Max. height	260 cm

Free-hanging with handle ESG 4

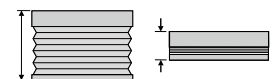


Cord guiding for an extra charge



- Free-hanging installation with fixed top profile and adjustable bottom profile
- Spring drive operation
- Handle at bottom profile; on request two handles per profile (recommended for widths from 120 cm)
- Lifting cord 1.2 mm
- Cord guiding for an extra charge
- Fixation with "large" fixing clip or wall fixing bracket
- Block holder for an extra charge
- Control rod for an extra charge

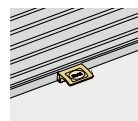
BUNCH HEIGHTS



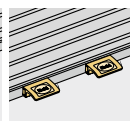
Installation height	Bunch height	
	Pleated blind	Honeycomb
50 cm	ca. 7 cm	ca. 8 cm
100 cm	ca. 8 cm	ca. 9 cm
150 cm	ca. 9 cm	ca. 11 cm
200 cm	ca. 10 cm	ca. 14 cm

OPERATION OPTIONS

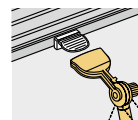
centre



two handles



control rod



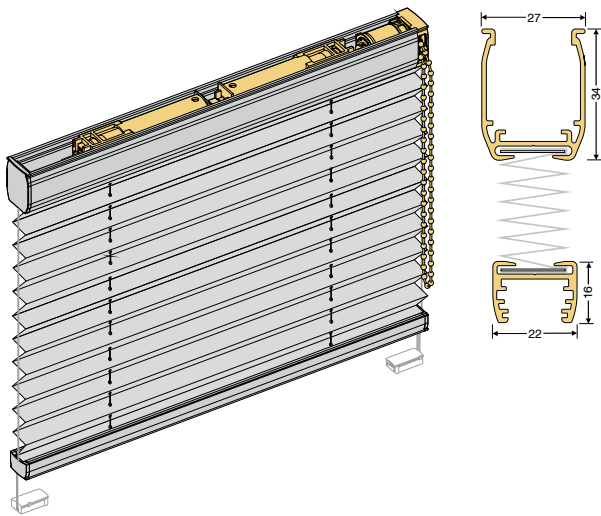
RANGES OF SIZE

Min. width	52 cm
Min. height	30 cm
Max. width	150 cm
Max. height	150 cm
or	
Max. width	120 cm
Max. height	200 cm

Vertical windows rectangular

Free-hanging installations

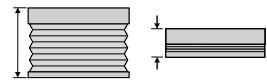
Free-hanging with chain ESB 1



Cord guiding for an extra charge

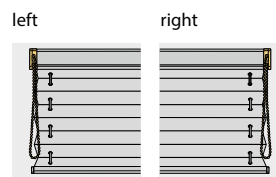
- Free-hanging installation with fixed top profile and adjustable bottom profile
- Chain operation, chain exit front
- Gear 2.6 : 1, on request gear 4.8 : 1
- Operating side left or right
- Lifting cord 1.2 mm
- Cord guiding for an extra charge
- Fixation with "large" fixing clip or wall fixing bracket
- Block holder for an extra charge
- Chain holder for an extra charge

BUNCH HEIGHTS



Installation height	Bunch height	
	Pleated blind	Honeycomb
50 cm	ca. 7 cm	ca. 8 cm
100 cm	ca. 8 cm	ca. 9 cm
150 cm	ca. 9 cm	ca. 11 cm
200 cm	ca. 10 cm	ca. 14 cm
260 cm	ca. 11 cm	ca. 17 cm

OPERATION OPTIONS

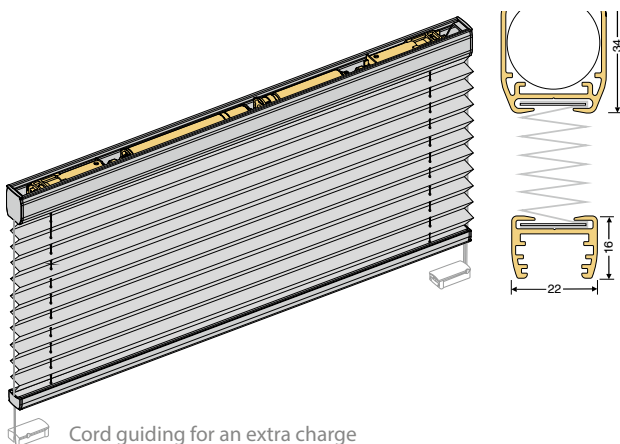


RANGES OF SIZE

Min. width	30 cm
Min. height	30 cm
Max. width	230 cm*
Max. height	260 cm

* depending on fabric width

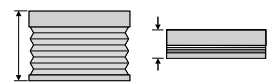
Free-hanging with motor ESM 1



Cord guiding for an extra charge

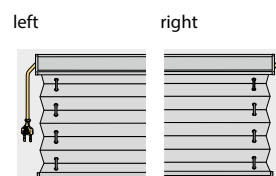
- Free-hanging installation with fixed top profile and adjustable bottom profile
- Motor operation, motor inside the top profile
- Direct current motor 24 V, power consumption ca. 15 W
- 230 V / 24 V power supply unit required
- Cable exit left or right (operation e.g. switch, radio, group control see electric accessories)
- Lifting cord 1.2 mm
- Cord guiding for an extra charge
- Fixation with "large" fixing clip or wall fixing bracket
- Block holder for an extra charge

BUNCH HEIGHTS



Installation height	Bunch height	
	Pleated blind	Honeycomb
50 cm	ca. 7 cm	ca. 8 cm
100 cm	ca. 8 cm	ca. 9 cm
150 cm	ca. 9 cm	ca. 11 cm
200 cm	ca. 10 cm	ca. 14 cm
260 cm	ca. 11 cm	ca. 17 cm


CABLE EXIT



RANGES OF SIZE

Min. width	70 cm
Min. height	30 cm
Max. width	230 cm*
Max. height	260 cm

* depending on fabric width

 Please use only the original control parts because of the integrated limit switching. Damage due to third-party products are excluded from warranty.